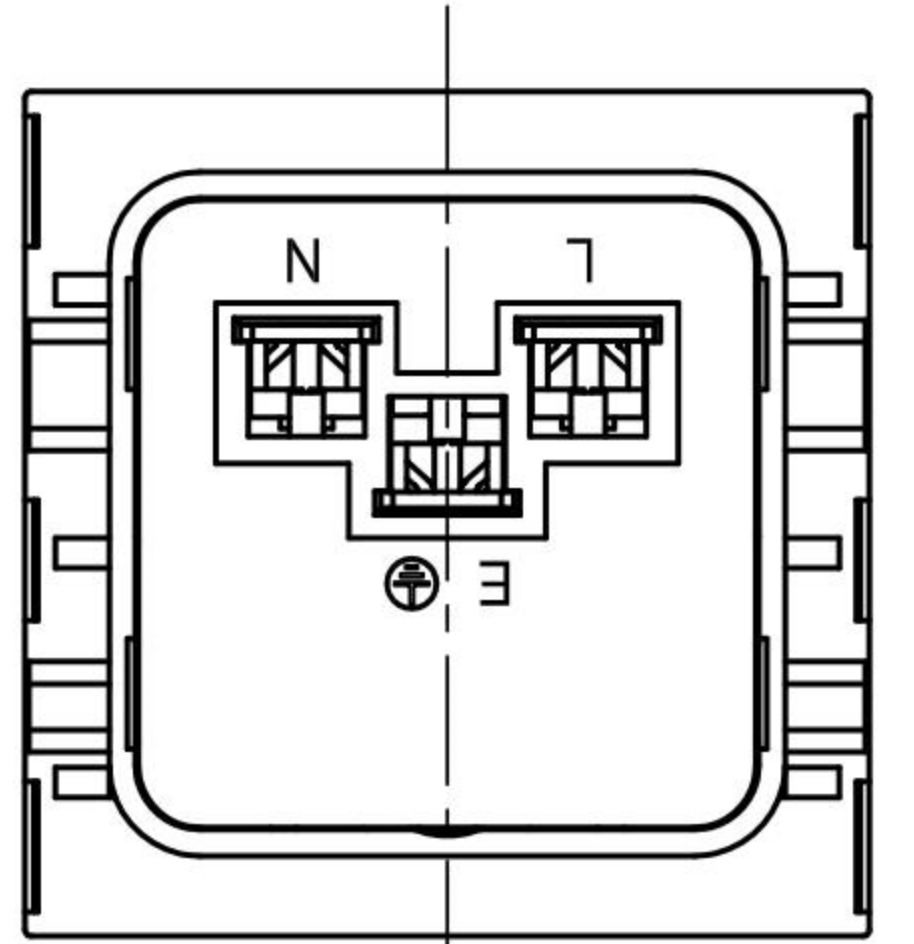
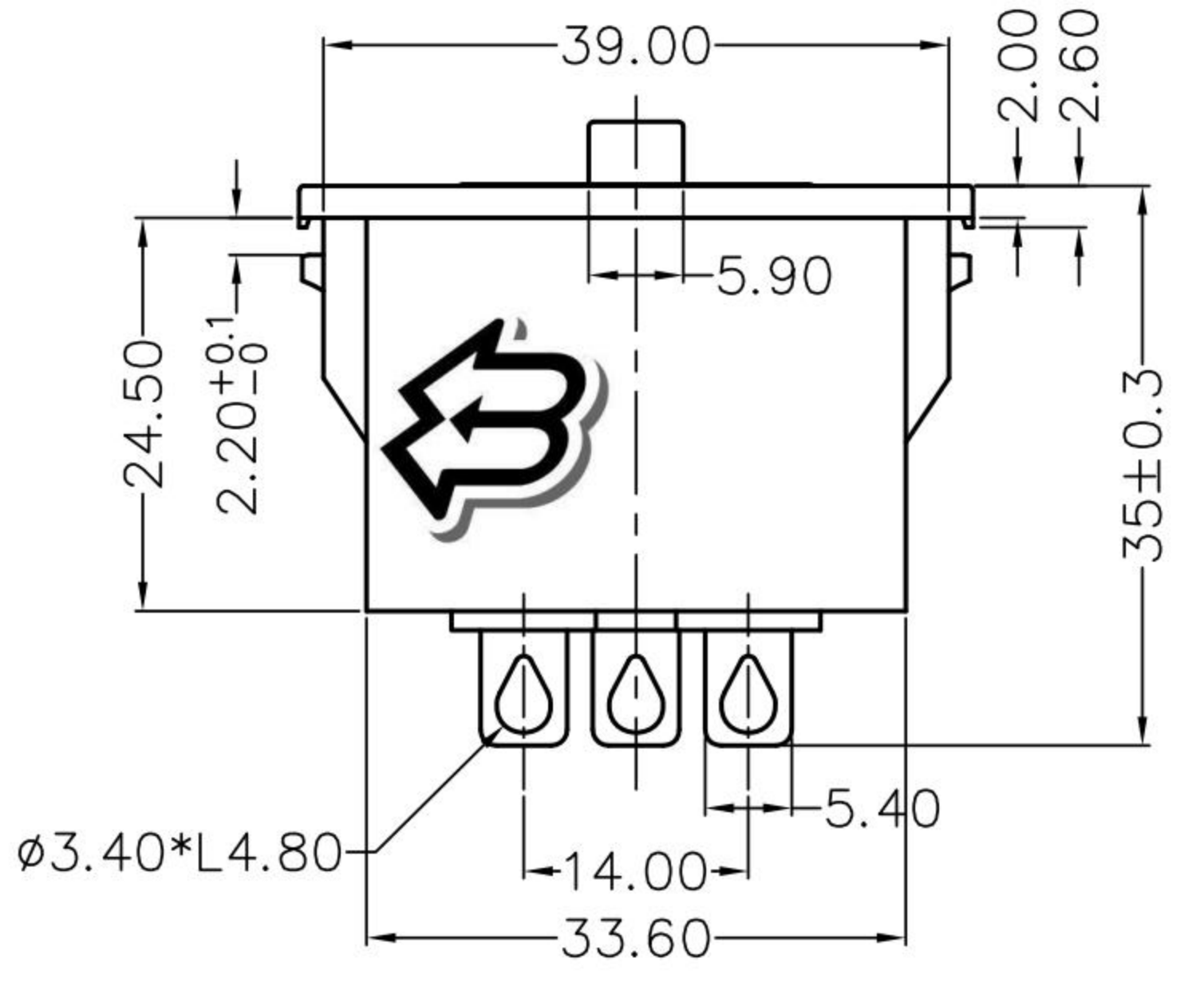


PANEL CUT-OUT



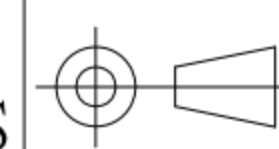
SPECIFICATION

- A: MATERIAL:
- 1.HOUSING & COVER: PC(BLACK), UL 94V-0
 - 2.HANDLE: PC(RED), UL 94V-0
 - 3.DOOR: IRON ALLOY, NICKEL PLATED
 - 4.TERMINAL: COPPER ALLOY, TIN PLATED
 - 5.SPRING: IRON ALLOY, NATURE
- B: CHARACTERISTICS:
- 1. RATING: 10A 250V~ TUV,CCC
15A 250V~ UL
 - 2. INSULATION RESISTANCE: 100MΩ MIN, AT 500V DC
 - 3. ELECTRIC STRENGTH: AC 2000V FOR ONE MINUTE
 - 4. PREVENT SHEDDING FORCE: 10KG MIN.
- C: APPROVALS:
- UL, CUL, TUV & CCC

 **東莞市高迪電子有限公司**
DONG GUAN GAO DI ELECTRONICS CO., LTD

TOLERANCE UNLESS OTHERWISE STATED:

Up to 5	±0.2
Above 5 ~ 15	±0.3
Above 15 ~ 30	±0.4
Above 30 ~ 50	±0.5
Angle	±0.3°

3RD. ANGEL'S  UNITS MM

DRAWN BY:	DATE	MAT'L	TITLE	SWITCH
Ming Ming Zou	10/31/13			
CHECKED BY:	DATE	FINISH	MODLE	AC POWER SOCKET
Ning Ning Su	10/31/13			
APPROVED BY:	DATE	SCALE	DWG NO.	GD-BT-13-1AB
Jia Xiang	10/31/13	1:1		
SHEET NO.	1 of 1	PART NO.		
				SIZE A4
				VER R

ITEM NO.	DESCRIPTION	DRAWN	DATE